

## EOC6P71X vgradna pečica



### Where tasty is transformed to delicious

It's time to explore the power of steam with the 700 SteamCrisp® Oven. This oven introduces humidity to the cooking process, meaning food cooks at lower temperatures and doesn't dry out. Creating golden, crispy crusts and succulent centres.



### Tender inside, crispy outside with SteamCrisp

Say goodbye to average baking and hello to SteamCrisp. Ideal for baking and roasting, it combines steam and traditional heat to cook food gently, meaning dishes won't dry out. Taste and texture are enhanced with steam.



### Precision coking with our Food Sensor

Thanks to our Food Sensor, you can achieve perfect results every time. It lets you monitor the cooking process by measuring the core temperature of the food. It will even let you know when your food has been cooked to the desired temperature and stop

### Prednosti izdelka:

- Pyrolytic Cleaning turns grease and food residue to ash.
- Our LED timer display suggests temperatures based on selected cooking functions.
- The Fast Heat Up function pre-heats the oven quicker than standard ovens.

### Značilnosti:

- Vgradne pečice
- Možnost pečenja na 3 nivojih
- Funkcija hitrega segrevanja
- Sonda za meso
- Samočistilni sistem s pirolizo
- Opomnik za pirolitično čiščenje
- Samodejno predlaganje temperature
- Elektronski nadzor temperature
- Funkcija samodejnega zaklepanja
- Varovalo za otroke
- Kazalnik preostale toplote
- Vgrezni gumbi
- Halogenska luč pri pečici
- Samodejno vžiganje luči
- Enostavno čiščenje vrat
- Samodejni ventilator
- Ventilator za hlajenje
- Priloženi pekači s pečico: 1 pekač za sladice iz sivega emajla, 1 globoki pekač iz sivega emajla
- Število rešetk v pečici: 1 kromirana rešetka
- [http://services.electrolux-medialibrary.com/118ed4c0ee6546f4a7684c7fef8c985aNrZmYkM861d1f/view/WS\\_TN/PSEBPL15PC002027.png](http://services.electrolux-medialibrary.com/118ed4c0ee6546f4a7684c7fef8c985aNrZmYkM861d1f/view/WS_TN/PSEBPL15PC002027.png)
- [http://services.electrolux-medialibrary.com/118ed4c0ee6546f4a7684c7fef8c985aNrZmYkM861d1f/view/WS\\_TN/PSEBPL15PC002004.png](http://services.electrolux-medialibrary.com/118ed4c0ee6546f4a7684c7fef8c985aNrZmYkM861d1f/view/WS_TN/PSEBPL15PC002004.png)
- [http://services.electrolux-medialibrary.com/118ed4c0ee6546f4a7684c7fef8c985aNrZmYkM861d1f/view/WS\\_TN/PSEBPL15PC002010.png](http://services.electrolux-medialibrary.com/118ed4c0ee6546f4a7684c7fef8c985aNrZmYkM861d1f/view/WS_TN/PSEBPL15PC002010.png)
- [http://services.electrolux-medialibrary.com/118ed4c0ee6546f4a7684c7fef8c985aNrZmYkM861d1f/view/WS\\_TN/PSEBPL15PC002010.png](http://services.electrolux-medialibrary.com/118ed4c0ee6546f4a7684c7fef8c985aNrZmYkM861d1f/view/WS_TN/PSEBPL15PC002010.png)

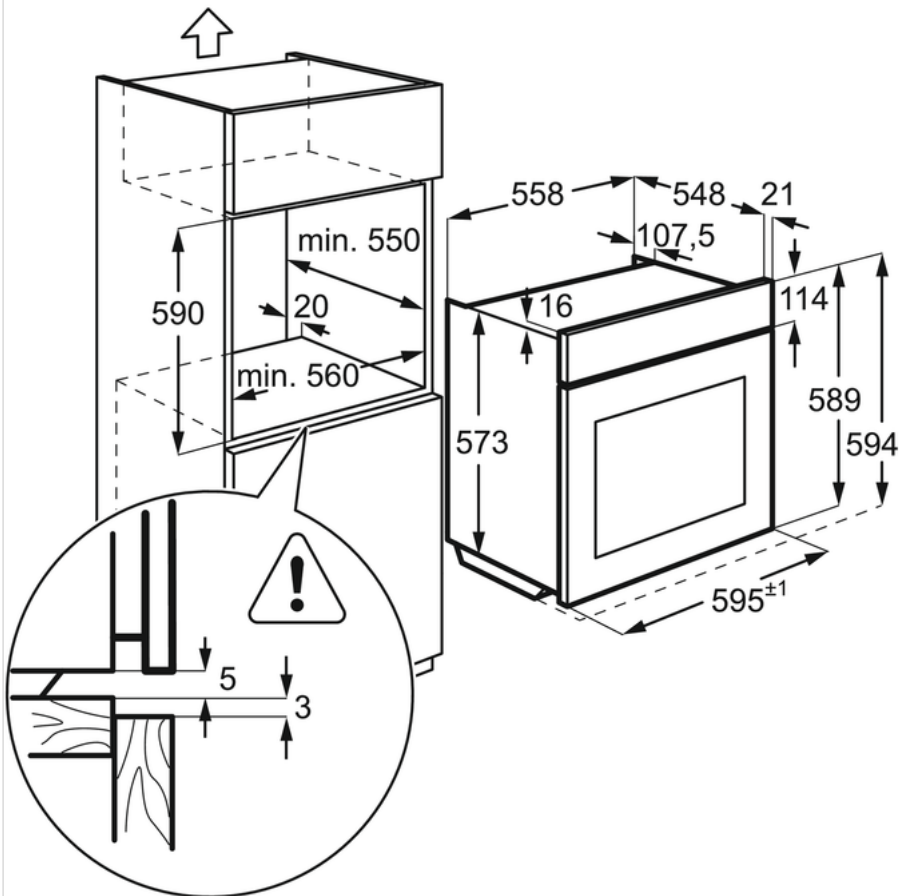
### Tehnične značilnosti:

- Čiščenje pečice : piroliza
- Uporabna prostornina notranjosti (l) : 72
- Razred energijske učinkovitosti : A+
- Razpon temperature : 30°C - 300°C
- Glasnost dB(A) : 45
- Zunanje mere (VxŠxG) v mm : 594x596x569
- Vključeni dodatki : enonivojska izvlečna vodila, variabilna
- Notranjost : Sivi emajl
- Vgradne mere (mm) : 600x560x550
- Skupna priključna moč (W) : 3480
- Moč (V) : 220-240
- Dolžina kabla (m) : 1,6
- Barva : nerjaveče jeklo
- Poraba energije pri običajnem načinu kroženja zraka (kWh/cikel) : 0.93
- PNC koda : 949494740
- Product Partner Code : ER

### Opis aparata:

# EOC6P71X vgradna pečica

PSGBOV170DE0000Y



PSGBOV170DE0000Z

